


beautyworld

JAPAN OSAKA

16 - 18 October 2023

INTEX Osaka

Hall 1, 2, 3, 4, 5, 6



Rental stand, package booth & optional furniture

(Standard booth [9m²] / Special exhibition area NEXT)

*Consumption tax will be applied to the prices declared.

*In arrangement of your stand, please refer to the Rules and regulation and the Booth fitting regulations in "Exhibitor manual".

Notice: delivery for booth

- The space is provided without any booth fitting.
- All exhibitors are required to arrange booth fitting at their own expense.
 - ※【Exception】 Package booths are delivered for all exhibitors of Standard booth [9m²] / Special exhibition area NEXT.
- An economical and convenient rental stand is available upon request.
- Also, additional items and custom-made stand can be ordered upon request.

Enquiry

Fujiya Co., Ltd.

Contact: Ms.Takano, Mr.Yamamoto

E-mail. bw@fujiya-net.co.jp

Rental stand (for standard raw space (18m²~) or nail zone raw space (4m²~))

- * Rental stand is an economical and convenient stand.
- * A-type, B-type, C-type for standard space (3m×3m/1 booth).
- * Nail-type for nail zone raw space only (2m×2m/1 booth).
- * For more information, please contact Fujiya Co., Ltd.

●Rental stand fee (Tax excluded)

	A type	B type	C type	Nail
1 booth(9m ²)	—	—	—	JPY 104,000 (4m ²)
2 booths(18m ²)	JPY 162,000	JPY 182,300	JPY 204,000	JPY 163,200 (8m ²)
3 booths(27m ²)	JPY 234,000	JPY 251,000	JPY 306,000	JPY 236,500 (12m ²)

*Consumption tax will be applied to the prices declared.

*Fees mentioned above only cover charge for "rental stand", and NOT "participation fee".

*Nail stand is available only for nail products exhibitors.

*Packaged booth fittings comes along when you apply for standard 1 booth.

●Items included in the rental stand

	A type	B type	C type	Nail
Needle punch carpet (Gray)	●	—	—	●
Needle punch carpet (7 color choices) ●Blue ●Red ●Orange ●Yellow ●Brown ●Pink ●Gray	—	●	●	—
Show case (8 color choices) ●Blue ●Red ●Orange ●Yellow ●Brown ●Pink ●Gray ●Woody	—	—	●	—
Octanorm wall panel system(H2.7m)	●	●	●	●
Sign (company name, booth number) per open side	●	● ^{*4}	●	●
Booth number board	●	●	●	●
LED Spotlight (15W) 3 per 1 booth	●	●	●	●
Double electrical outlet (100V/1kW) ^{*1}	●	●	●	●
Power supply installation, electricity fee (up to 1kW) Electrical outlet includes main power construction fee and electric fee. However, an additional fee will be charged for excess electricity usage.	●	●	●	●
1 Wastepaper bin	●	●	●	—
Booth construction and dismantling	●	●	●	●
Optional furniture (a or b) ^{*2}				
a)1 lounge table & 3 armless chairs	—	●	●	—
b)1 reception counter & 1 chair	—	—	—	—
1 display table & 2 armless chairs ^{*3}	—	—	—	●

*1 2 outlets, 2 places for over 18m² booth.

*2 2-3 booth(s): You may choose [a] or [b]. 4 - booths: You may choose 2 set of [a], 2 set of [b] or [a & b].

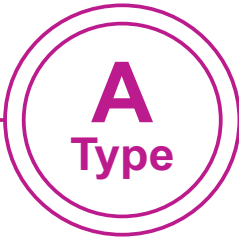
*3 2 armless chairs will be provided for 2 to 3 booths. 4 chairs will be provided for 4 booths and above.

*4 [Option] Inside lighting is available (JPY 18,000 [Tax excluded])

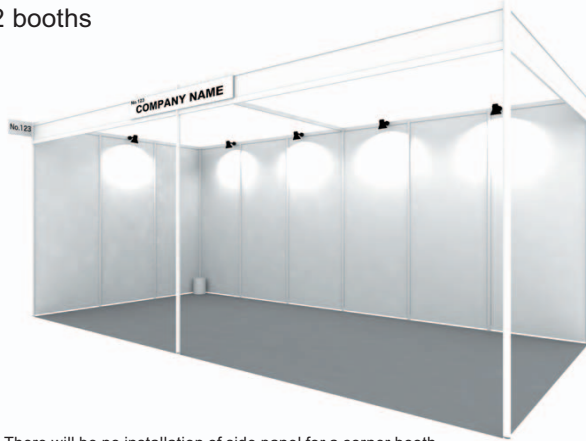
*For corner booths, the price remains the same. When the next booth is also a rental booth, system wall is to be shared.

※ From this year, booth cleaning service is available with charge for a rental stand and a packaged booth.

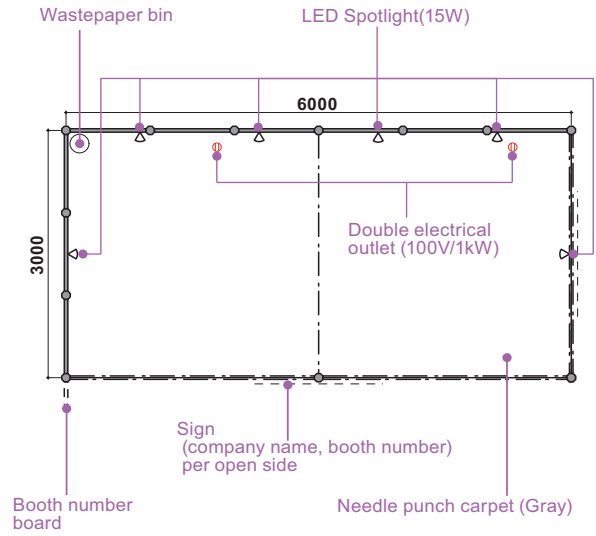
Rental stand



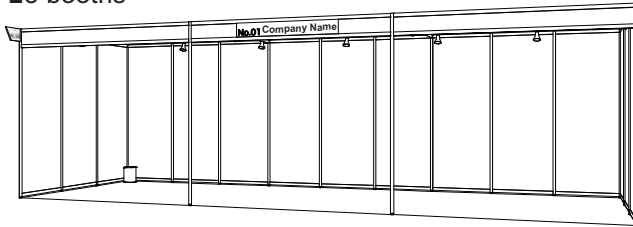
■ 2 booths



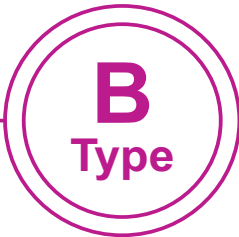
- *1 There will be no installation of side panel for a corner booth.
- *2 Company name will be printed on sign only in Gothic(BK). Company/product logo can be printed with extra charge.
- *3 Electrical outlet includes main power construction fee and electric fee. However, an additional fee will be charged for excess electricity usage.
- *4 For the location of each LED spotlights, please submit [Rental stand layout] in the [Exhibitor's page].



■ 3 booths



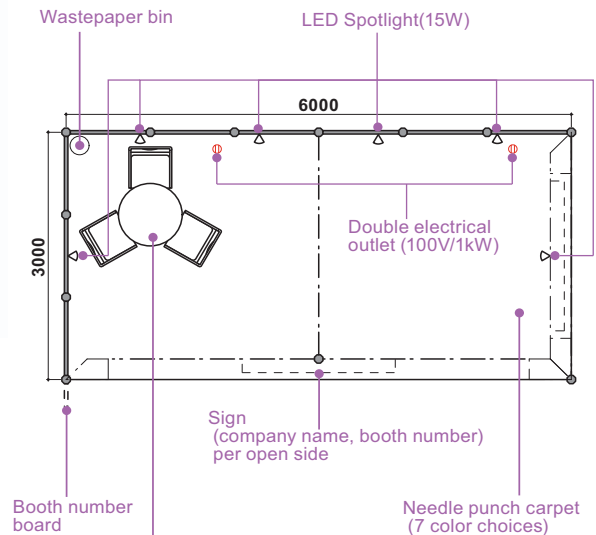
Rental stand



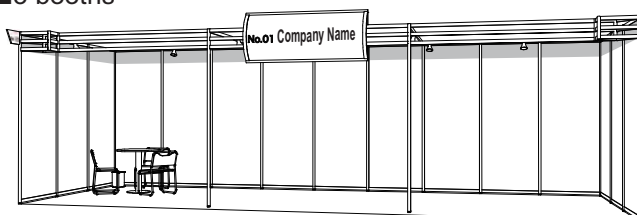
■ 2 booths



- *1 There will be no installation of side panel for a corner booth.
- *2 Company name will be printed on sign only in Gothic(BK). Company/product logo can be printed with extra charge.
- *3 Electrical outlet includes main power construction fee and electric fee. However, an additional fee will be charged for excess electricity usage.
- *4 For the location of each LED spotlights, please submit [Rental stand layout] in the [Exhibitor's page].
- *5 [Option] Inside lighting is available (JPY 18,000 [Tax excluded])

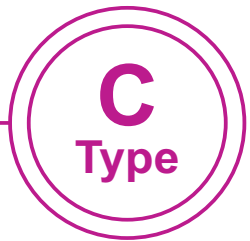


■ 3 booths



- a) 1 lounge table & 3 armless chairs or
- b) 1 reception counter & 1 chair

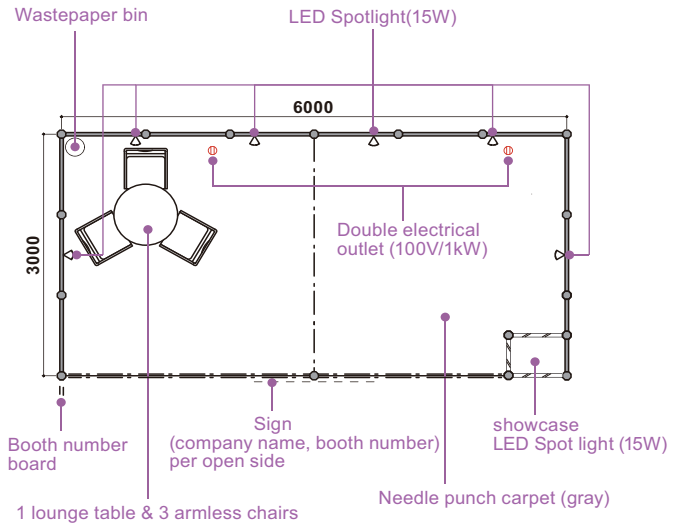
Rental stand



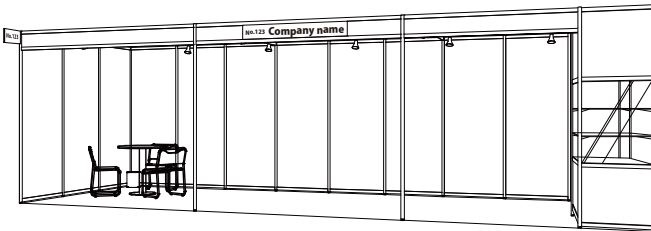
■2 booths



- *1 There will be no installation of side panel for a corner booth.
- *2 Company name will be printed on sign only in Gothic(BK).
Company/product logo can be printed with extra charge.
- *3 Electrical outlet includes main power construction fee and electric fee.
However, an additional fee will be charged for excess electricity usage.
- *4 For the location of each LED spotlights, please submit [Rental stand layout] in the [Exhibitor's page].



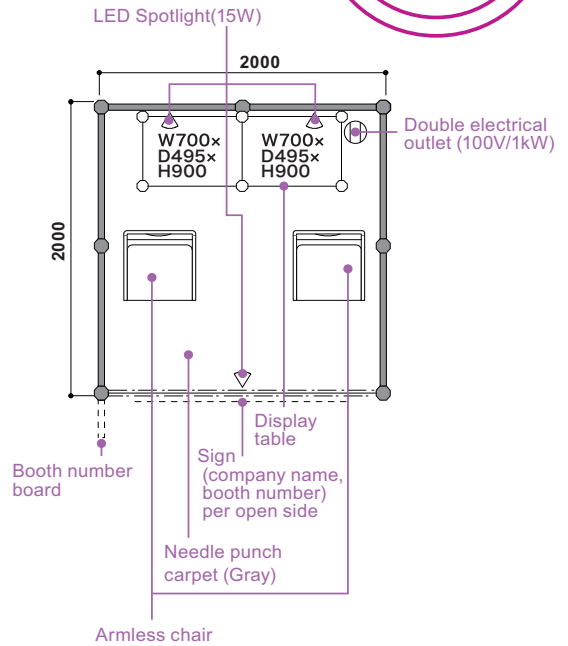
■3 booths



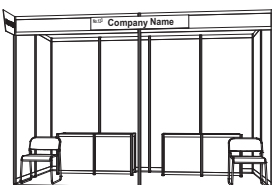
Rental stand



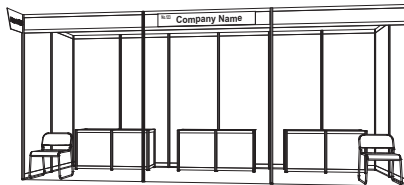
- *1 There will be no installation of side panel for a corner booth.
- *2 Company name will be printed on sign only in Gothic(BK).
Company/product logo can be printed with extra charge.
- *3 Electrical outlet includes main power construction fee and electric fee.
However, an additional fee will be charged for excess electricity usage.
- *4 For the location of each LED spotlights, please submit [Rental stand layout] in the [Exhibitor's page].



■2 booths



■3 booths



●B type [Color variation]

Please select from 7 colors.



Blue



Red



Orange



Yellow



Brown



Pink



Gray

●C type [Color variation]

Please select from 8 colors.



Blue



Red



Orange



Yellow



Brown



Pink



Gray



Woody

Standard booth [9m²]

Information for the exhibitors of standard booth [9m²] (Package booth)

- Package booths includes booth fittings as below.
- For more information, please contact Fujiya Co., Ltd.
- The following decoration options are available with conditions.
Please fill out the application form in the Exhibitor's page and contact Fujiya Co., Ltd.

[Free]

- Remove the parapet on booth number board. (Apply in advance by the application form on the Exhibitor manual)
- Change the color of the carpet to red or blue. (Apply in advance by the application form on the Exhibitor manual)

[Paid]

- Change the color of the wall panels. (Please contact Fujiya Co., Ltd. for rates and available colors)
- Change the carpet color other than red and blue. (Please contact Fujiya Co., Ltd. for rates and available colors)
- Change the design of Sign. (Exhibitor name and booth number must be on the sign)

<Conditions>.

- Please submit the booth design (floor plan / elevation plan) before the deadline.
 - Please comply with the decoration regulations.
- The following decorations are not allowed.
 - Remove the booth number board.
 - Remove the wall panels.

Items included in package booths

Needle punch carpet ● Gray	●
Octanorm wall panel system (H2.7m)	●
Wall color	—
Sign (company name, booth number) ○ White	●
Booth number board	●
LED Spotlight (15W) 3 per 1 booth	●
Double electrical outlet (100V/1kW)	●
Power supply installation, electricity fee (up to 1kW) Electrical outlet includes main power construction fee and electric fee. However, an additional fee will be charged for excess electricity usage.	●
Booth construction and dismantling	●

*There will be no installation of side panel for a corner booth.

*For corner booths, the price remains the same. When next booth is also a rental booth, system wall is to be shared.

*It is impossible to drive in a nail or screw and apply a glue directly.

Company Name Color : White

No.123
COMPANY NAME

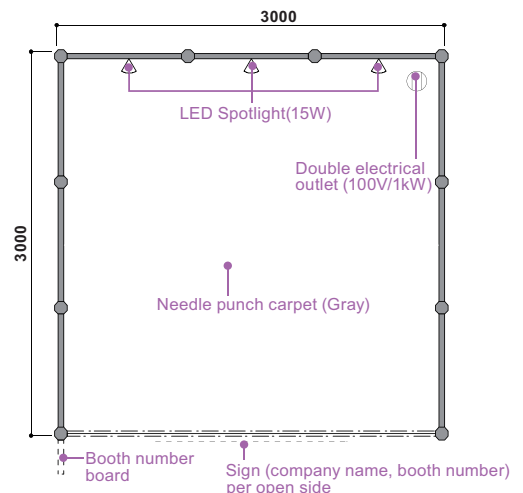
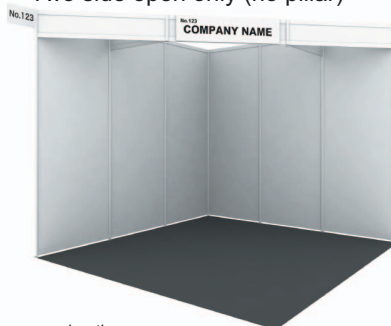
※ From this year, booth cleaning service is available with charge for a rental stand and a packaged booth.

Standard booth [9m²]

One side open



Two side open only (no pillar)



*1 There will be no installation of side panel for a corner booth.

*2 Company name will be printed on sign only in Gothic(BK).

*3 Electrical outlet includes main power construction fee and electric fee.
However, an additional fee will be charged for excess electricity usage.

*4 For the location of each LED spotlights, please submit [Rental stand layout] in the [Exhibitor's page].

Special exhibition area NEXT

Information for the exhibitors of special exhibition area NEXT

- Package booths includes booth fittings as below.
- For more information, please contact Fujiya Co., Ltd.
- It is prohibited to decorate over the wall height (2.7m).
- The following decorations are not allowed.
 - Remove the parapet.
 - Replace the company name sign.
 - Remove the booth number board.
 - Change the color of the wall panels, posts, and carpet.

Items included in package booths

Needle punch carpet (Gray)	●
Octanorm wall panel system (H2.7m)	●
Wall color	—
Sign (company name, booth number)	●
Booth number board	●
LED Spotlight (15W) 3 per 1 booth	●
Double electrical outlet (100V/1kW) ^{*1}	●
Power supply installation, electricity fee (up to 1kW) Electrical outlet includes main power construction fee and electric fee. However, an additional fee will be charged for excess electricity usage.	●
Booth construction and dismantling	●

*1 2 outlets, 2 places for over 8m² booth.

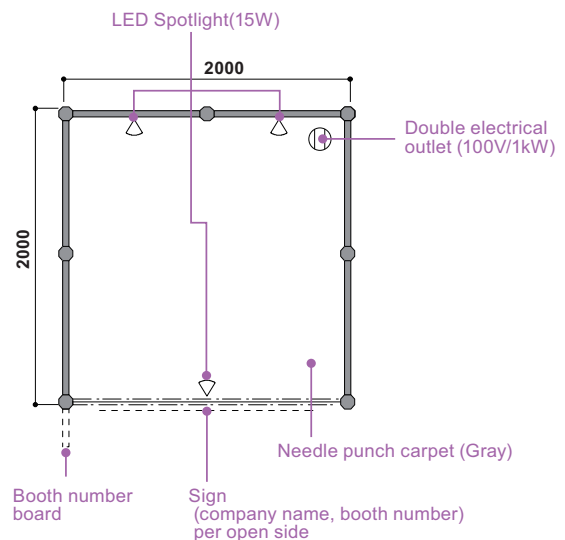
*There will be no installation of side panel for a corner booth.

*For corner booths, the price remains the same. When next booth is also a rental booth, system wall is to be shared.

*It is impossible to drive in a nail or screw and apply a glue directly.

※ From this year, booth cleaning service is available with charge for a rental stand and a packaged booth.

NEXT



*1 There will be no installation of side panel for a corner booth.

*2 Company name will be printed on sign only in Gothic(BK).

*3 Electrical outlet includes main power construction fee and electric fee.
However, an additional fee will be charged for excess electricity usage.





*4 For the location of each LED spotlights, please submit [Rental stand layout] in the [Exhibitor's page].

●オプション備品 Optional furniture








*Consumption tax will be applied to the prices declared.

*For other rental furniture, please contact Fujiya Co., Ltd.

テーブル・イス / Tables & chairs

A-1	折り椅子 Folding chair (blue)		A-2	アームレスチェア Armless chair (white)				
	W420 x D460 x H780 x SH430			W500 x D500 x H750 x SH425				
	¥700			¥2,800				
A-3	アームレスチェア Armless chair (blue)		A-4	ディレクターチェア Director's chair (white)				
	W500 x D540 x H750 x SH430			W620 x D470 x H820 x SH430				
	¥2,800			¥2,500				
A-5 A-6 A-7	カフェチェア / Cafe chair white (A-5) / black (A-6) / red (A-7)		A-8	ハイカウンターチェア Counter high chair (black)				
W520 x D500 x H800 x SH430	W350 x D350 x H850 x SH620							
¥3,600	¥4,400							
A-9A A-9B A-9C A-10A A-10B A-10C	カウンターチェア / Counter chair white (A-9A,B,C) black (A-10A,B,C)		A-11A A-11B A-11C	ベンチ bench (white)				
Ø350 x SH450(A) OR 600(B) OR 700(C)	W1500 x D350 H400(A) / 500(B) / 600(C)							
¥4,000	¥6,600							
A-12 A-13 A-14	スツール / Stool white (A-12) / black (A-13) / red (A-14)		B-2 B-3	会議テーブル Table (white)				
Ø320 x H450	W1800 x D600 x H700(B-2) W1500 x D450 x H700(B-3)							
¥700	¥3,600							
B-8	カフェテーブル Cafe table (white)		B-9 B-10	ハイテーブル (H1000) High table (H1000)		B-11 B-12	カフェテーブル / Cafe table white (B-11) / black (B-12)	
	Ø750 x H600			Ø500(B-9) Ø600(B-10)			W900 x D600 x H700	
	¥5,000			¥10,000			¥6,600	
B-14	受付カウンター Reception counter (white)		B-15	受付カウンター Reception counter (white)				
	W900 x D450 x H800			W650 x D450 x H900				
	¥8,800			¥10,000				
C-1	カフェセット / Cafe table and chair set (white)		C-2	応接セット / Meeting table and chair set (white)				
	¥29,000			¥18,000				

ディスプレイ備品 / Display equipment





D-1	パネルスタンド Panel stand (white)		D-2	ユニバーサルスタンド Universal stand	
	W400 x D400 x H900 - 1700			W475 x D450 x H1120 - 1800	
	¥2,200			¥5,500	
D-3	カタログスタンドA4 12段 Catalogue stand		D-4	カタログスタンドA4 11段3面 Catalogue stand	
	W450 x D575 x H1635			Ø360 x H1540	
	¥6,200			¥13,500	
D-5	卓上カタログラック Desk catalogue rack		D-6	貴名受 Business card box	
	W224 x D120 x H280			¥1,400	
	¥2,200				
D-7	傾斜ハンガー Tilted hanger rack				
	¥3,300				

*Consumption tax will be applied to the prices declared.
 *For other rental furniture, please contact Fujiya Co., Ltd.

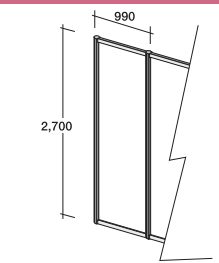
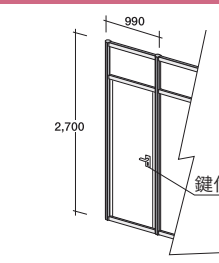
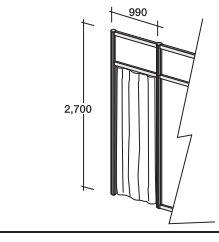
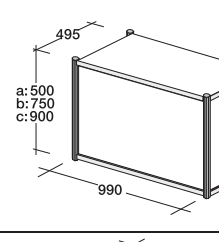
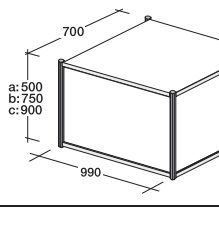
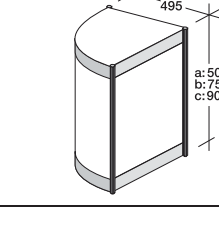
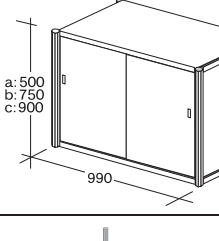
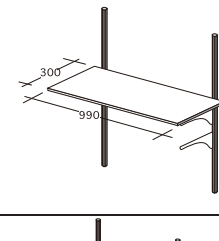
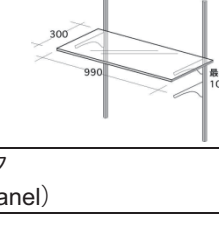
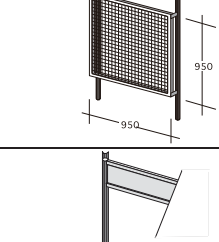

ストックルーム備品 / Storeroom equipment					
E-1	アブスト1段(組合せ可) Display stand		E-2	アブスト3段 Display stand	
	W450 x D450 x H450			W450 x D450 x H1320	
	¥2,700			¥7,200	
E-3	スチールラック(ストック用) Simple steel shelf (for stock)		E-4A E-4B	シングルハンガー Hanger rack	
	W900 x D400 x H1800			W600(A) / W900(B) x H1000-1700	
	¥4,500			¥2,700	
E-5A, B	ハンガー / Hanger		Black (A) White (B)		¥150
E-6	姿見 / Mirror		W500 x D450 x H1490		¥4,500
E-7	ゴミ箱 / Dust box		Ø223 x H285		¥500
E-8	冷蔵庫 / Refrigerator		W430 x D460 x H830 (80L)		¥14,000
E-9	冷蔵庫(大) / Refrigerator (large)		W480 x D560 x H1200 (150L)		¥20,000
E-10	白布 / White cloth		910 巾		¥800
E-11	消火器 / Extinguisher				¥4,500
E-12	コーヒーメーカーセット / Coffee maker set		200杯分		¥25,000
E-13	掃除機 / Vacuum cleaner				¥9,000
植栽 / Green establishment					
G-9	アーレカヤシ Areca (large)		G-11	ベンジャミン Benjaminia (large)	
	¥4,000			¥4,000	
AV機器 / AV equipment					
H-1	液晶テレビ20インチ (DVD用) LCD 20 INCH (For DVD)		H-2	液晶テレビ37インチ (DVD用) LCD 37 INCH (For DVD)	
	¥60,000			¥180,000	
H-3	液晶テレビ 21インチ(PC用) LCD 21 INCH (For PC)		H-4	プロジェクターセット Projector set	
	¥55,000			¥150,000	
H-5	DVDプレイヤー DVD Player		H-6	有線マイク音響セット(小) Wired microphone sound system (small)	
	¥28,000			¥45,000	
H-7	有線ヘッドセットマイク音響セット(小) Wired headset microphone sound system (small)		H-8	出展者プレゼンテーション用追加有線ヘッドセットマイク Additional Wired Headset Microphone for Exhibitor Presentation	
	¥45,000			¥17,000	
防犯グッズ / Security Goods					
J-1	テーブルクロス White cloth		J-2	防犯ワイヤー(製品用) Security wire (for product)	
	¥1,500			¥1,000	
J-5	盗難防止ブザー Security buzzer		J-6	防犯カメラ Security camera	
	¥2,000			¥90,000	
			J-3	セキュリティワイヤー(PC用) Security wire (for PC)	
			J-4	セキュリティワイヤー(タブレット用) Security wire (for tablet PC)	
			J-7	防犯カメラ(ダミー) Security camera (dummy)	

*Consumption tax will be applied to the prices declared.







*For other rental furniture, please contact Fujiya Co., Ltd.




電気器具 / Electric appliance				
I-1	LEDスポットライト 15W (白色) LED Spot light 15W		I-2 LEDアームスポットライト 15W (白色) LED Armed spot light 15W	
	※設置位置をご指定ください			
	¥4,000		¥4,200	
I-3	LED蛍光灯 20W LED Fluorescent lamp 20W		I-4 LEDライト 60W (白色) LED light 60W	
	※設置位置をご指定ください			
	¥4,000		¥11,000	
I-5	電源コンセント Outlet (2口 100V/1kW)			※設置位置をご指定ください
				¥3,600

※I-1~5は、別途一次幹線工事費・電気使用料がかかります。/I-1~5 require additional power supply installation and electricity fee.

システムオプション / Partition unit & display counter				
F-1	パネルユニット Panel unit		F-2 ドアユニット Door unit (w/key)	
	H2700 x W990			
	¥6,600		¥13,500	
F-3	カーテンユニット Curtain unit		F-4A 展示台 F-4B Display counter F-4C	
	H2700 x W990			
	¥6,600		¥15,000	
F-5A F-5B F-5C	展示台 Display counter		F-6A 1/2R展示台 F-6B 1/2 Semicircular F-6C display counter	
	W990 x D700 x H500(A)/750(B)/ 900(C)			
	¥22,000		¥9,000	
F-9A F-9B F-9C	引戸タイプ展示台 (鍵付) Display counter (w/key)		F-10 棚板 Flat wood shelf	
	W990 x D495 x H500(A)/750(B)/ 900(C)			
	¥20,000		¥4,500	
F-11	ガラス棚 Flat glass shelf		F-12 メッシュパネル Mesh panel	
	W990 x D300			
	¥5,500		¥9,000	
F-13	メッシュパネル用フック L100 (hook for mesh panel)		F-14 パラペット Fascia	
	(5個/Pcs)			
	¥1,100		¥2,500	
F-15	カラーシート貼り W990 x H2700 Color sheet		F-16 パンチカーペット Carpet	
	¥15,000/枚 ●青 ●赤 ●オレンジ ●黄 ●茶 ●ピンク ●グレー ●Blue ●Red ●Orange ●Yellow ●Brown ●Pink ●Gray		¥22,000/小間 ●青 ●赤 ●オレンジ ●黄 ●茶 ●ピンク ●グレー ●Blue ●Red ●Orange ●Yellow ●Brown ●Pink ●Gray	

*Consumption tax will be applied to the prices declared.
 *For other rental furniture, please contact Fujiya Co., Ltd.

感染症対策 / Infectious disease measures				
K-1	卓上カバー (大: 下部開口可) Cover (L)	 ※テーブルは別途リース	K-2 卓上カバー (小: 下部開口可) Cover (S) 透明ビニールサイズ W1400 × H450 ¥5,000	 ※テーブルは別途リース
	透明ビニールサイズ W1400 × H700 ¥9,000			
K-3	レジカウンターカバー Cash register Cover	 ※カウンターは別途リース	K-4 AIサーマルカメラ AI thermal camera ¥35,000	
	透明ビニールサイズ W1400 × H900 ¥15,000			
K-6	ソーシャルディスタンスサイン Sign			
	φ 300			
	¥5,500 / 枚			
K-7	ソーシャルディスタンスサイン Sign			
	W600 × H300			
	¥7,000 / 枚			

飲食用オプション備品 / Optional equipment for eating and drinking						
L-1	アクリルカバー Acrylic cover	L-2 実演台 Demonstration table -A W1,800 × D850 × H1,800 (作業台 H800) ¥22,000 -B W1,200 × D850 × H1,800 (作業台 H800) ¥22,000 -C W900 × D850 × H1,800 (作業台 H800) ¥20,000 	L-3 冷蔵ケース Refrigerator case W425 × D378 × H910 ¥25,000 	L-4 蓋付プラスチックカップ Plastic cup with lid W69 × D54 × H42 ¥6,000 ※100個ロット販売 		
	W400 × D350 × H250					
	¥9,000 